

Comfort

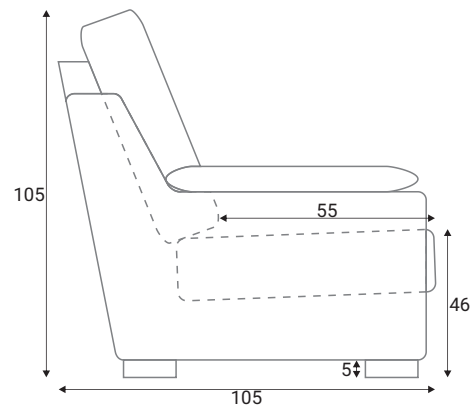
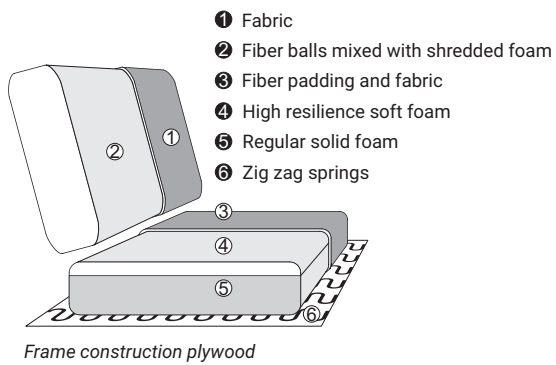


Comfort



Comfort

Extra dimensions



Legs

Armrests

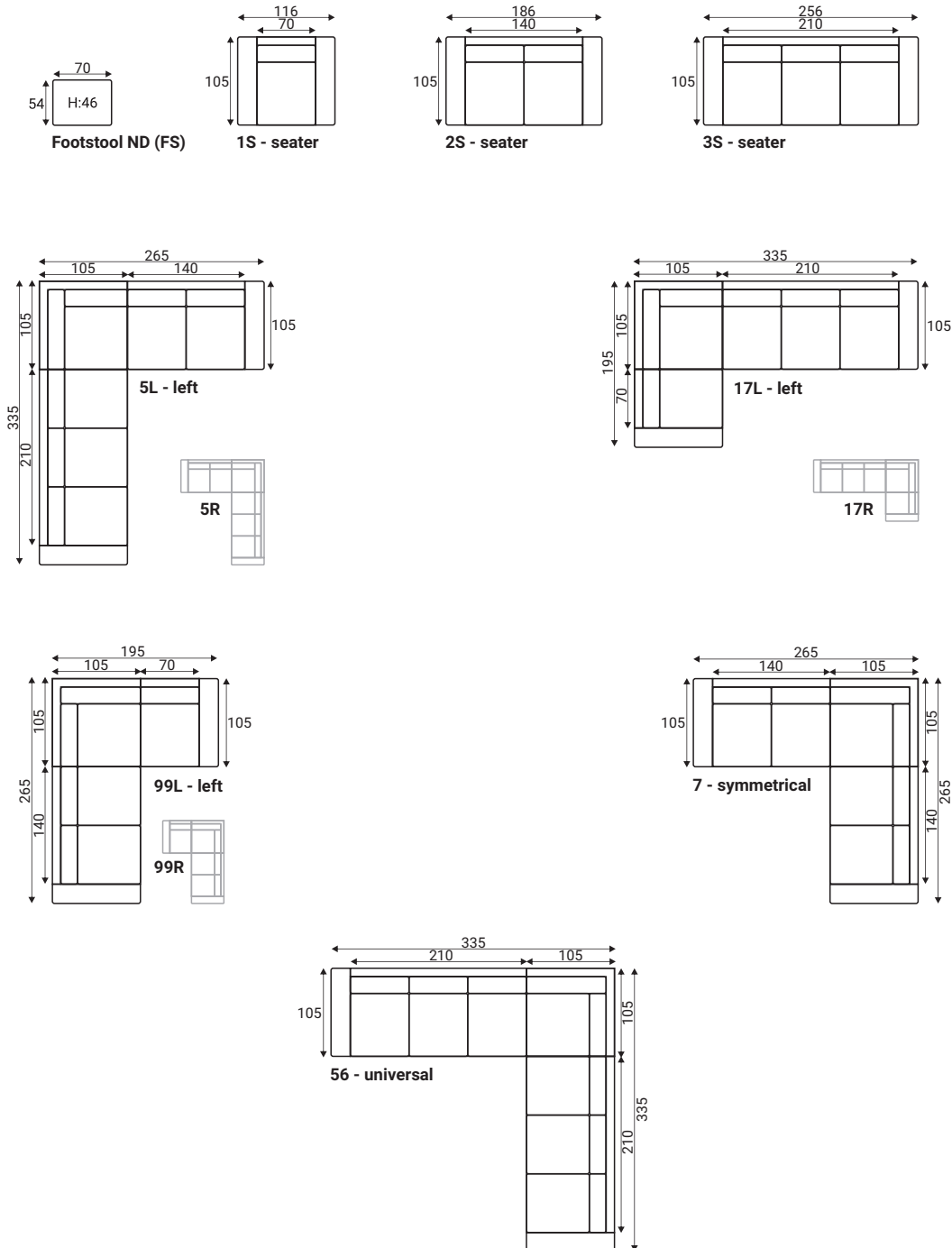




Comfort

Standard sets

Dimensions with A20 armrest and W02 legs



Furniture features in symbols



- Seat and back cushions are loose from the frame.



- Removable cover for loose cushions.
(For maintenance please check fabric information.)



- Fabric

reserves the right to change construction of products and components used due to improving durability of product and customer satisfaction without any further notice. Upholstered furniture is handmade using soft materials there fore measurements may vary up to +/- 3cm. Slight colour variations may occur between production batches. For technological reasons variations in color shades are acceptable.