

Stockholm

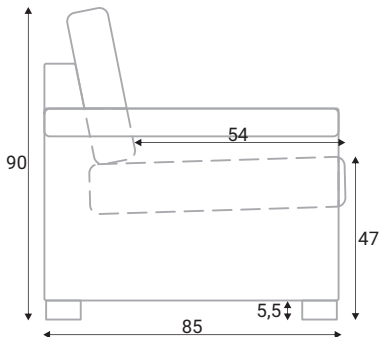
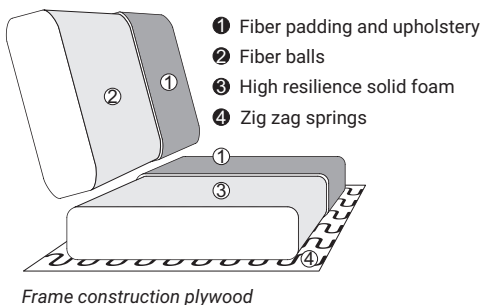


Stockholm



Comfort

Extra dimensions

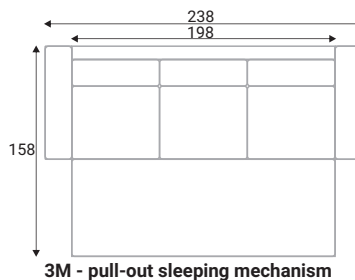
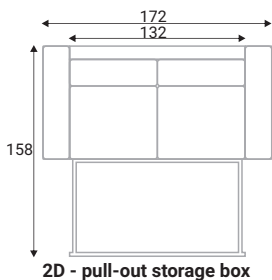
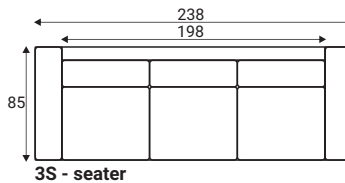
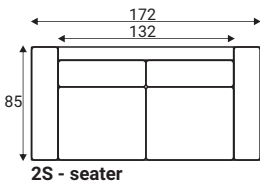
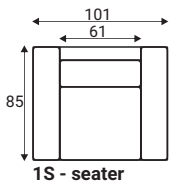


Legs



W04
Plywood,
painted black

Standard sets

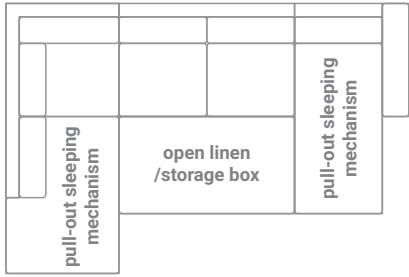
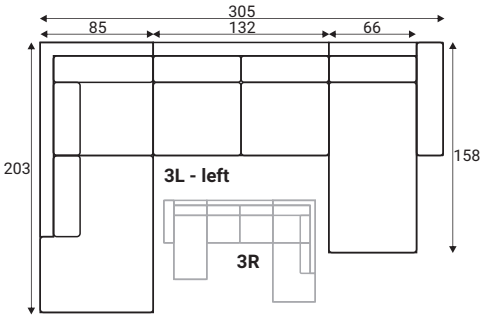
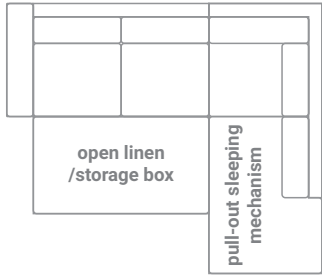
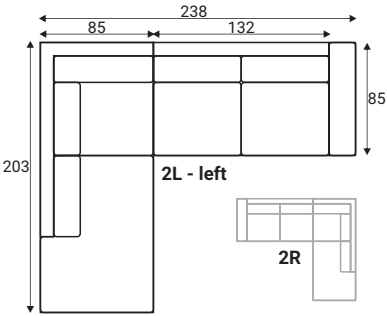
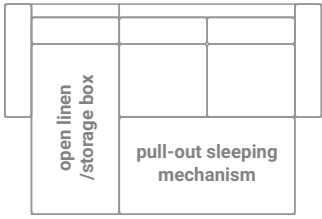
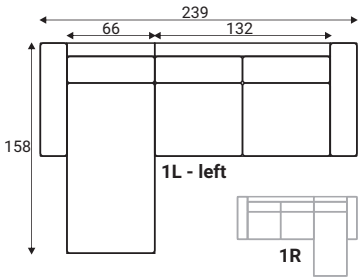


reserves the right to change construction of products and components used due to improving durability of product and customer satisfaction without any further notice. Upholstered furniture is handmade using soft materials there fore measurements may vary up to +/- 3cm. Slight colour variations may occur between production batches. For technological reasons variations in color shades are acceptable.

Stockholm



Standard sets



Furniture features in symbols



- Loose back and fixed seat.



- Fabric



- Removable cover for loose cushions.
(For maintenance please check fabric information.)



- Sofa bed, sleeping mechanism

reserves the right to change construction of products and components used due to improving durability of product and customer satisfaction without any further notice. Upholstered furniture is handmade using soft materials there fore measurements may vary up to +/- 3cm. Slight colour variations may occur between production batches. For technological reasons variations in color shades are acceptable.