

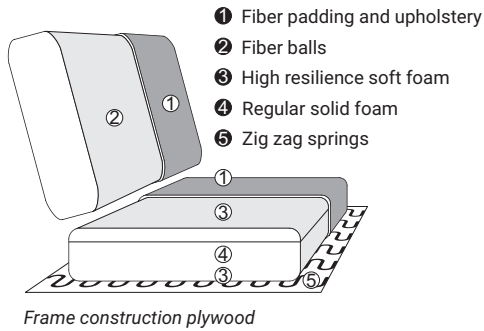
Nova



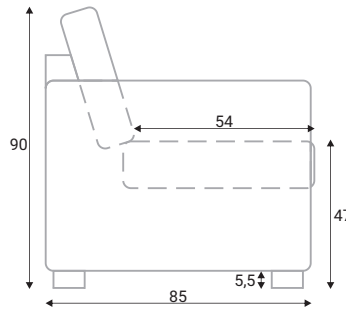
Nova



Comfort



Extra dimensions

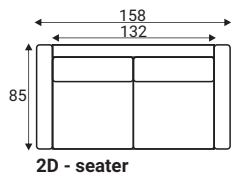


Legs

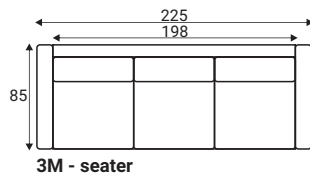


W01
Plywood,
painted black

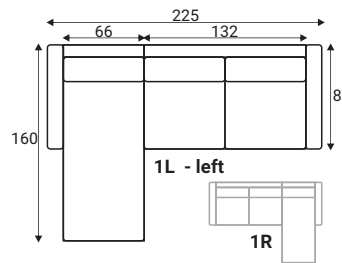
Standard sets



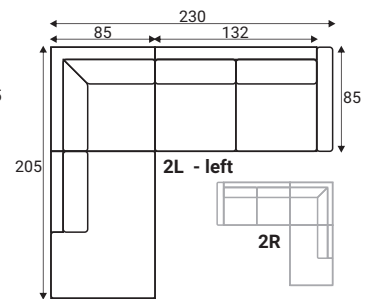
2D - seater



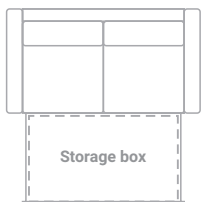
3M - seater



1L - left



2L - left

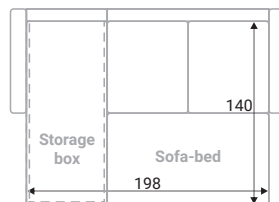


Storage box



Sofa-bed

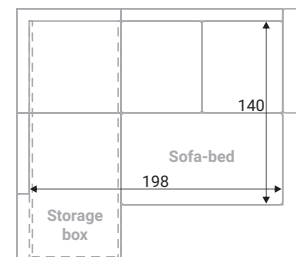
198



Storage box

Sofa-bed

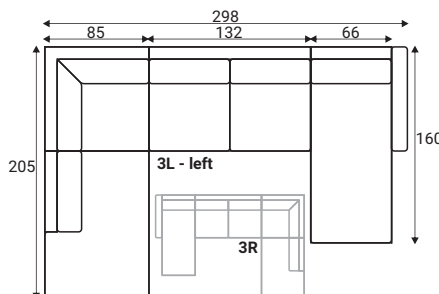
198



Storage box

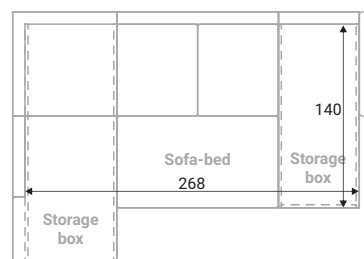
Sofa-bed

198



3L - left

3R



Storage box

Sofa-bed

268

Storage box

Furniture features in symbols



- Loose back and fixed seat.



- Fabric



- Removable cover for loose cushions.
(For maintenance please check fabric information.)



- Sofa bed, sleeping mechanism

reserves the right to change construction of products and components used due to improving durability of product and customer satisfaction without any further notice. Upholstered furniture is handmade using soft materials there fore measurements may vary up to +/- 5cm. Slight colour variations may occur between production batches. For technological reasons variations in color shades are acceptable.