

Motive



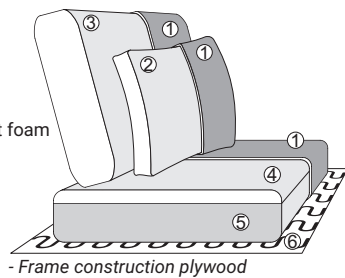


Motive

Comfort

Basic (PP/K1)

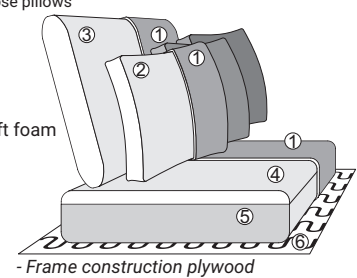
- ① Fiber padding and fabric
- ② Carded polyester fiber
- ③ High soft HS23 foam
- ④ High resilience HR30 soft foam
- ⑤ High density RP35 foam
- ⑥ Zig zag springs



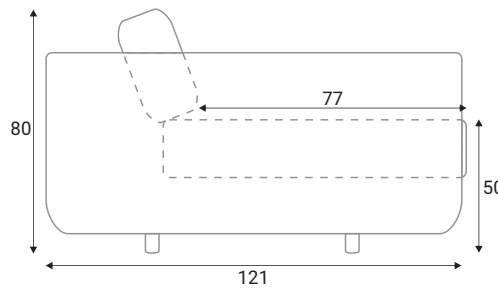
Basic - Loose pillows (II/K1)

The total amount of loose pillows are shown on module.

- ① Fiber padding and fabric
- ② Carded polyester fiber
- ③ High soft HS23 foam
- ④ High resilience HR30 soft foam
- ⑤ High density RP35 foam
- ⑥ Zig zag springs



Extra dimensions



Legs



W16, Solid wood, painted black

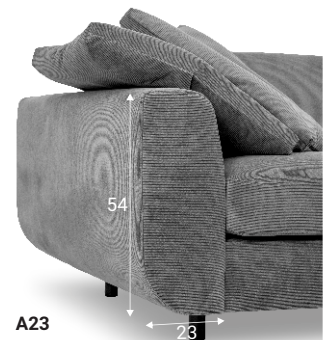


W21, Solid wood, painted black

Armrests

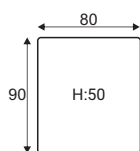


A10

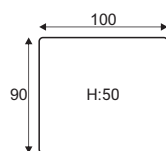


A23

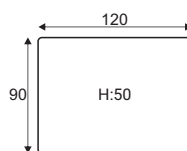
Accessories



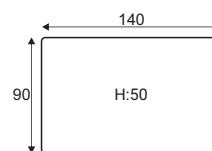
Footstool F44



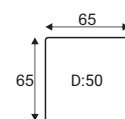
Footstool F45



Footstool F46



Footstool F47



Deco pillow D18

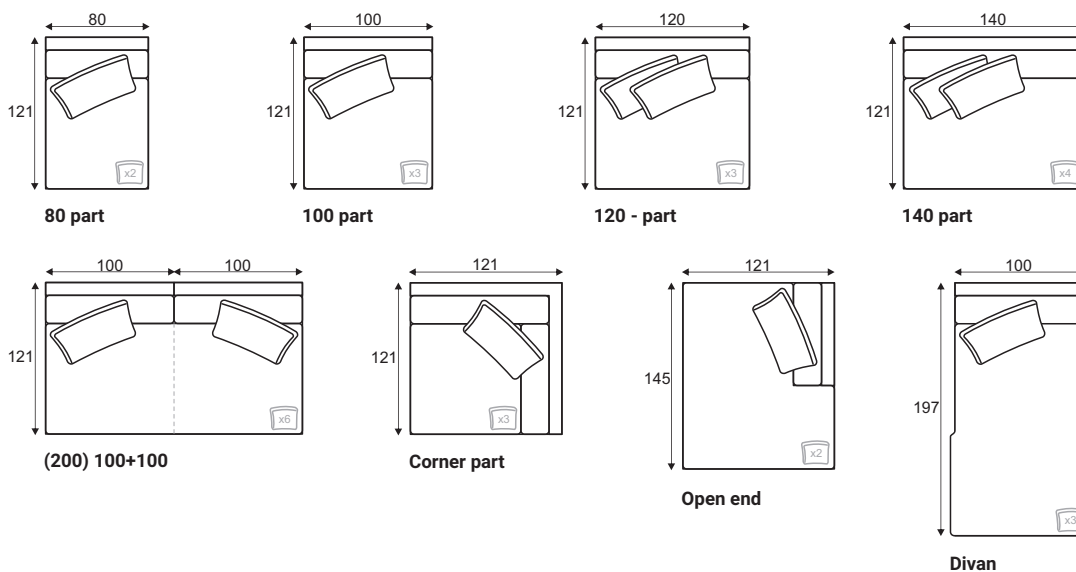
reserves the right to change construction of products and components used due to improving durability of product and customer satisfaction without any further notice. Upholstered furniture is handmade using soft materials there fore measurements may vary up to +/- 3cm. Slight colour variations may occur between production batches. For technological reasons variations in color shades are acceptable.

Motive



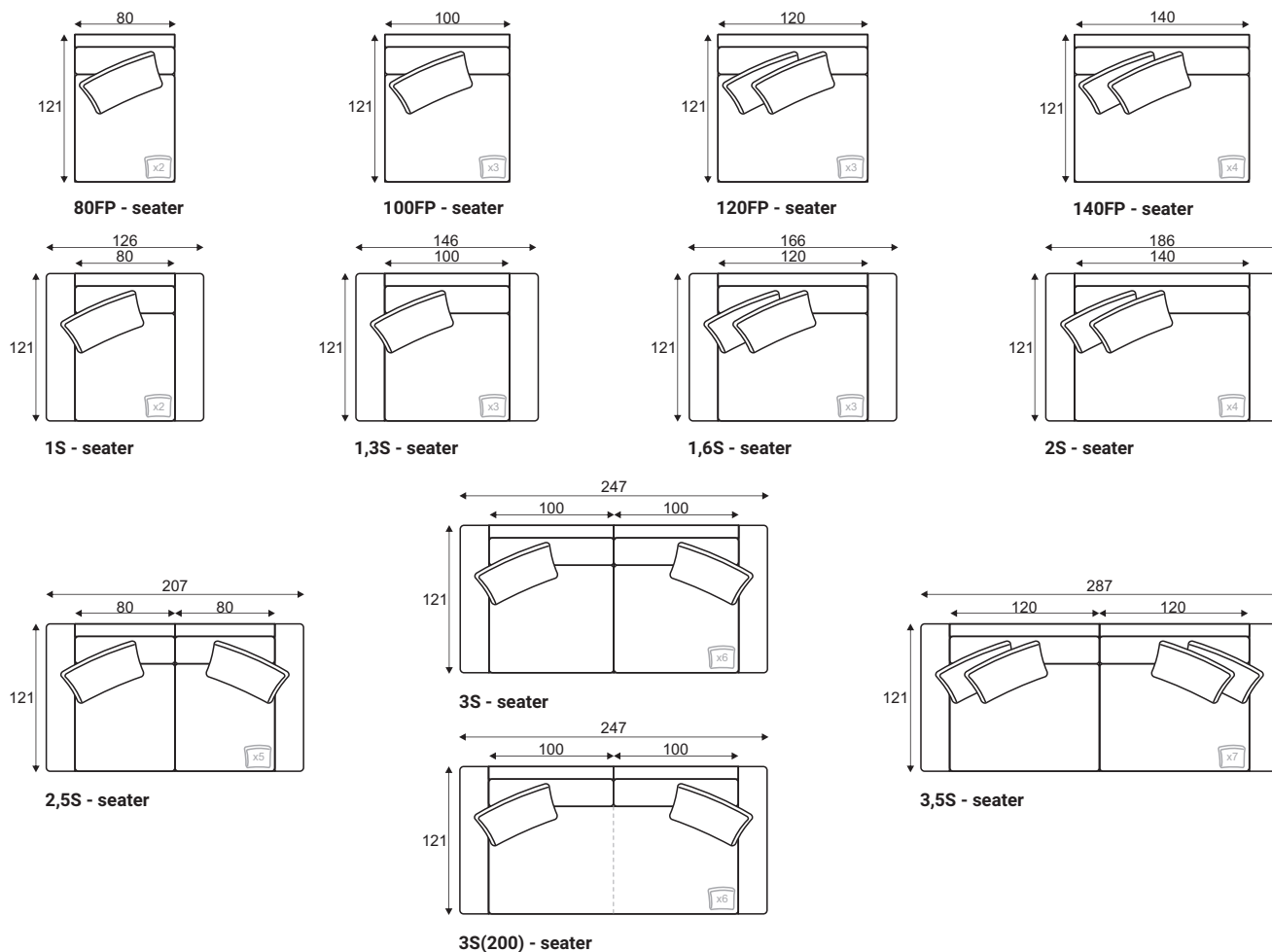
Modules

Dimensions with A23 armrest and W16 legs



Standard sets

Dimensions with A23 armrest and W16 legs



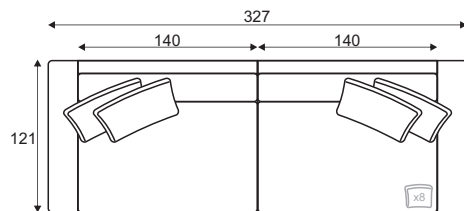
reserves the right to change construction of products and components used due to improving durability of product and customer satisfaction without any further notice. Upholstered furniture is handmade using soft materials there fore measurements may vary up to +/- 3cm. Slight colour variations may occur between production batches. For technological reasons variations in color shades are acceptable.

Motive

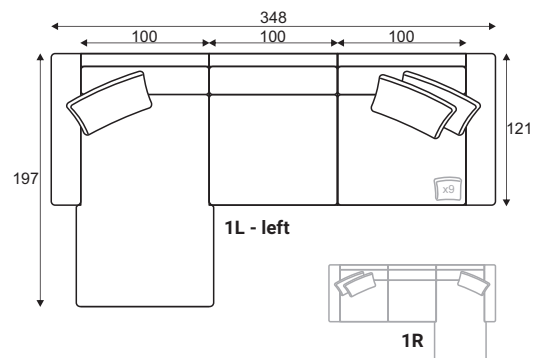


Standard sets

Dimensions with A23 armrest and W16 legs

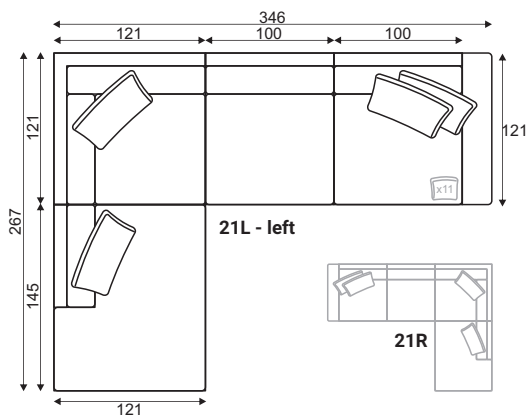


4S - seater



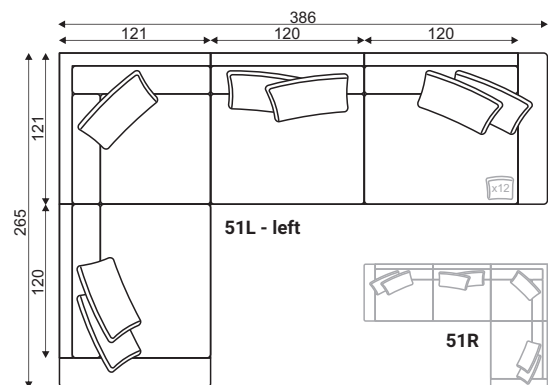
1L - left

1R



21L - left

21R



51L - left

51R

Furniture features in symbols



- Seat and back cushions are loose from the frame



- Removable cover for loose cushions
(For maintenance please check fabric information.)



- Fabric



- Modular system

reserves the right to change construction of products and components used due to improving durability of product and customer satisfaction without any further notice. Upholstered furniture is handmade using soft materials there fore measurements may vary up to +/- 3cm. Slight colour variations may occur between production batches. For technological reasons variations in color shades are acceptable.