

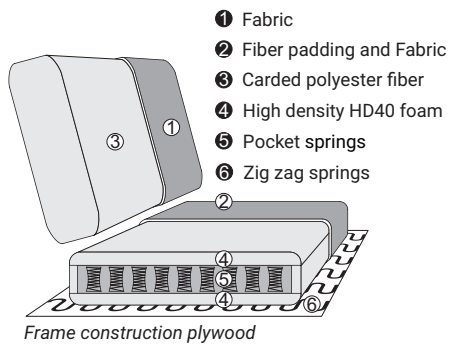
# Marlow



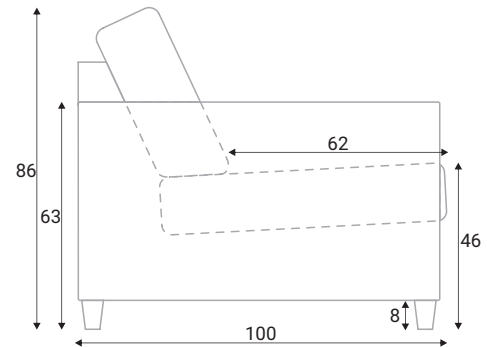
# Marlow



## Comfort



## Extra dimensions



## Legs



W46  
White oak



W46  
Natural oak

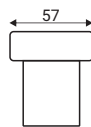


W46  
Smoked oak

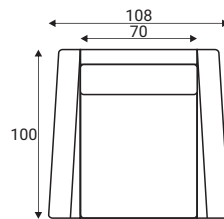


W46  
Oak painted black

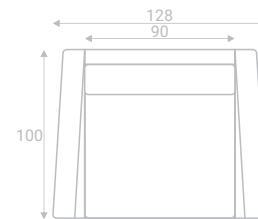
## Standard sets



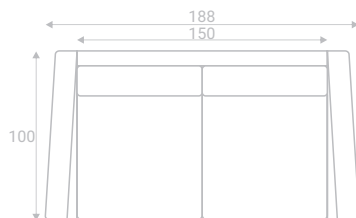
Neckrest



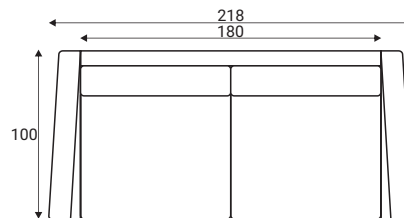
1S - seater



1,5S - seater



2,5S - seater



3S - seater

## Furniture features in symbols



- Seat and back cushions are loose from the frame.



- Fabric



- Removable cover for loose cushions.  
(For maintenance please check fabric information.)

reserves the right to change construction of products and components used due to improving durability of product and customer satisfaction without any further notice. Upholstered furniture is handmade using soft materials there fore measurements may vary up to +/- 3cm. Slight color variations may occur between production batches. For technological reasons variations in color shades are acceptable.